

Pierce Pacific Mfg.: Additional Forestry Products



PROCESSING/HARVESTER HEADS



PIERCE DELIMITERS



DENHARCO DELIMITERS



FORESTRY GUARDING



FELLING ATTACHMENTS



PARALIFT



FORESTRY BOOMS



MILLIARD/SORTYARD BOOMS



ROADBUILDER/HARVESTER CONVERSIONS



YARDING/WINCH PACKAGES

GET A PERFECT FIT

Finite Element Analysis (FEA), combined with computer-aided motion analysis software, allows our design team to eliminate structural "hot spots" where structural strength is critical to the long-term integrity of the product. These tools, used by all the major excavator manufacturers, allow us to design, build, assemble, simulate and test our Forestry Grapple structures prior to any manufacturing taking place.

All high load concentrations have been eliminated during the design process, allowing us to provide structures and fabrications that will flourish while operating in the rigors of North American timber and climate conditions.

In addition, fully associative drafting allows for a precision fit of every part and component we fabricate, allowing for a consistent/superior tolerance product to be manufactured each and every time.

And, as an Allied Equipment Manufacturer, our engineering team works directly with excavator manufacturers to assure complete and error-free integration of all OEM/Pierce equipment.

THE PIERCE PROMISE

Like all Pierce products, once it's delivered we stand by it all the way. Our unparalleled product support and customer service includes on-site training and troubleshooting, stocked warehouses, after hours pickup and overnight delivery. Emergency orders are routinely shipped the same day, and our professional service technicians are available 7 days a week, after business hours and weekends, to make sure your jobs stay on track and on schedule. Quality from the drawing board to the bottom line. That's what "Pierce built, Pierce backed" is all about.

Pierce Pacific Manufacturing, Inc. Pierce Denharco, Inc.

4424 NE 158th
Portland, Oregon 97230 USA

Post Office Box 30509
Portland, Oregon 97294 USA

Telephone: 503.808.9110
Toll Free: 800.760.3270
Facsimile: 503.808.9111

Distribution Warehouses
Edmonton, Alberta Canada
Baton Rouge, Louisiana USA

www.piercepacific.com
www.denharco.com



PIERCE
Denharco



Pierce Pacific Manufacturing, Inc.
Pierce Denharco, Inc.

PIERCE
Denharco

Forestry Grapples

Twin Cylinder
Brush Rake
Specialty

**FORESTRY
GRAPPLES**



TWIN CYLINDER FORESTRY GRAPPLES. LOG ON!

How does less service and more uptime grab you? For more than 30 years, Pierce has been manufacturing hydraulic Forestry Grapples using input from loggers. As machinery and loggers get stronger, so do our grapples. The result is a product that does all the things you need it to do, easily and efficiently. Pierce Twin Cylinder Forestry Grapples feature powerful 360° continuous rotation and are multi-purpose for excellent versatility. They feature an optimum leg shape for big wood, tight grapple closure for superior small log control, load check valves to eliminate the risk of dropping your payload, and heavy duty legs that possess the optimum shape for shovel logging, loading, unloading and sorting.



FORESTRY GRAPPLE FEATURES:

GENERAL

- 30 years and thousands of Pierce grapples in operation prove its superior design in extreme North American timber conditions.
- Greater payload capacity.
- Utilized by road builders, forestry and logging contractors, and sawmills.

CYLINDERS

- Matched to recommended machine operating pressure.
- Load check valves reduce risk of losing your payload in the event a pressure loss occurs.
- High pressure piston seals.
- Heavy duty protection of dual arm cylinders.

GRAPPLE LEGS

- Heavy duty grapple legs designed for the rigors of shovel logging and multi-stem handling.
- Leg configurations available for shovel logging, loading, unloading and sorting.
- Available: extended/straighter leg profile for easy picking from log decks.
- Available: curved leg profile for big wood/shovel logging applications.
- Single center pivot pin design offers less maintenance & smaller grapple closure.
- Small grapple closure for superior single-stem handling.
- Handles tree length or cut stems.
- Logs roll up into throat for greater payload control, regardless of small/large diameter timber.
- Hardened, wear resistant grapple leg tips.

HYDRAULIC SYSTEM

- Completely enclosed hydraulics with easy serviceability behind bolt-on covers.

PINS & BUSHINGS

- Oversized, induction hardened, heat treated, and chromed pins.
- Aluminum bronze bushings for extended lubrication/greasing intervals.

ROTATION

- 360° continuous rotation.

STRUCTURE

- Resilient, wear and impact resistant steel.
- Fit and interchangeability of replacement components.
- Precision machining.

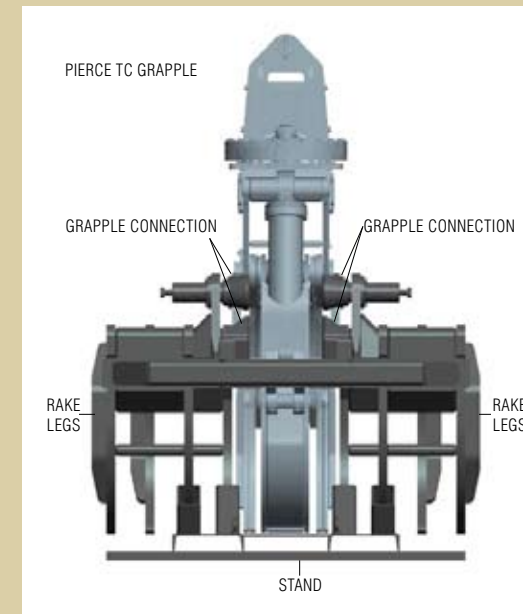
MAINTENANCE

- Significant component commonality between all Pierce TC models for ease and simplicity of maintenance. A benefit for customers that have multiple grapples.
- Simple design allows for easy maintenance and repairs.



BRUSH RAKE

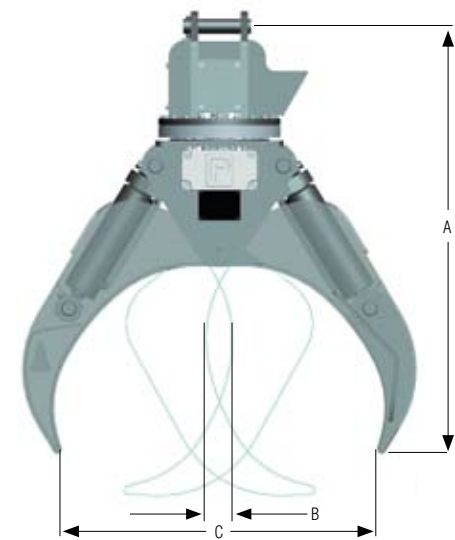
- Designed for heavy duty brush piling.
- Simple pin-on design.
- Utilize your Pierce forestry grapple, eliminating the need for a separate, dedicated brush attachment.
- Heavy-duty stand and mounting connections included for easy attachment.
- One-man mount/dismount in minutes.



LEG SHAPE OPTIONS	FEATURES	BENEFITS
Straight	Tight grapple closure	Multi-system handling • Selecting from log decks loading • Single-stem handling
Curved	More support from underneath log	Handling large diameter stems Shovel logging, Hoe chucking

GRAPPLE MODEL	TC46	TC52	TC58	TC60	TC66	TC68
Overall Height <small>(Link not included)</small> (A)	71"	72"	76"	78"	80"	83"
Minimum Opening (B)	4"	4.5"	7"	7"	8.5"	7.5"
Maximum Opening (C)	46"	53"	58"	61"	66"	67"
Leg Depth: Inner (D)	7"	8"	8.25"	8.25"	10.25"	10"
Leg Depth: Outer (E)	11.5"	14"	14"	14"	15.5"	15.5"
Arm Cylinder Size	3.5"	4"	4"	4"	4"	4"
Tip To Tip Sq. Ft.	3.16	3.43	4.71	4.71	5.5	6.96
Continuous Rotation	360°	360°	360°	360°	360°	360°
Weight	1200#	2200#	2550#	2550#	2800#	2800#

CARRIER REQUIREMENTS	
Open/Close	35-55 GPM, UP TO 4500 PSI ON ALL PIERCE TC GRAPPLES.
Rotate	5-10 GPM AT 1500 PSI ON ALL GRAPPLES.



FORESTRY GRAPPLE LINKS



Dogbone



Through-The-Snoot



Y-Link

Various drop lengths are available to properly suit your stick/heel geometry. Available for all machine brands, models and boom designs.

SPECIALITY GRAPPLES

- Powerclam Buckets and Brush Grapples.
- Single Cylinder Grapples: RHLG 50, RHLG 64, RHLG 72, RHLG 84.
- Pulpwood Grapples.
- Material Handling, Scrap and Demolition Grapples.

* Alternate sizes and a selection of leg shapes available for all grapples upon request.